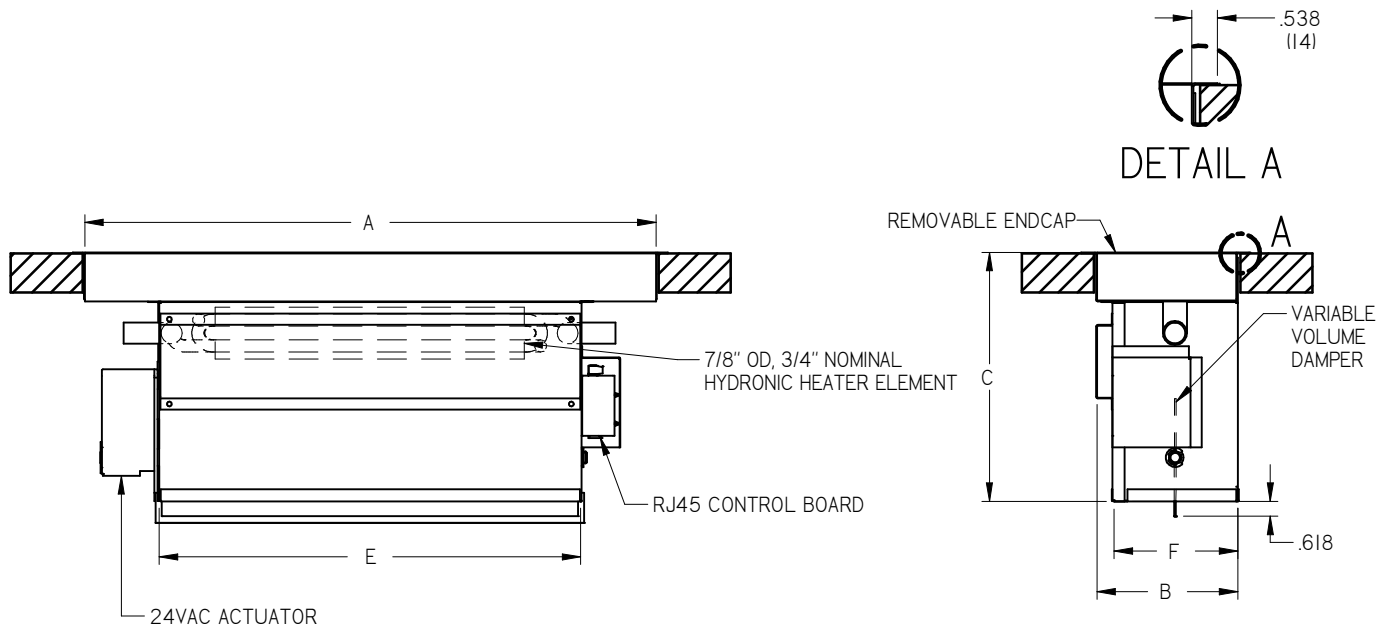


**LFH
HYDRONIC**



NOM. SIZE	UNIT OVERALL			PLENUM INLET		ROUGH OPENING
	A	B	C	E	F	
<input type="checkbox"/> 24 X 6 (610 X 152)	23 7/8 (606)	5 7/8 (149)	10 3/8 (264)	17 1/2 (445)	5 1/8 (130)	24 X 6 (610 X 152)
<input type="checkbox"/> 48 X 6 (1219 X 152)	47 7/8 (1216)	5 7/8 (149)	10 3/8 (264)	41 1/2 (1054)	5 1/8 (130)	48 X 6 (1219 X 152)

NOTES:

- PLENUM - 20 GA STEEL CONSTRUCTION WITH BLACK FINISH
- DROP-IN INSTALLATION FROM ABOVE FLOOR
- COMES WITH PLENUM RATED CABLE
- LFG 1000 STYLE GRILLE ORDERED SEPARATELY
- NOMINAL GRILLE SIZE = NOM LENGTH - 0.250 (6) X 5.750 (146)

HEATER ELEMENT:

- 7/8" OD, 3/4" NOM. CONNECTION HOT WATER COIL

DAMPER CONTROL:

- 24 VAC FLOATING POINT ACTUATOR
- RJ45 CONTROL BOARD WITH PLENUM RATED CABLE

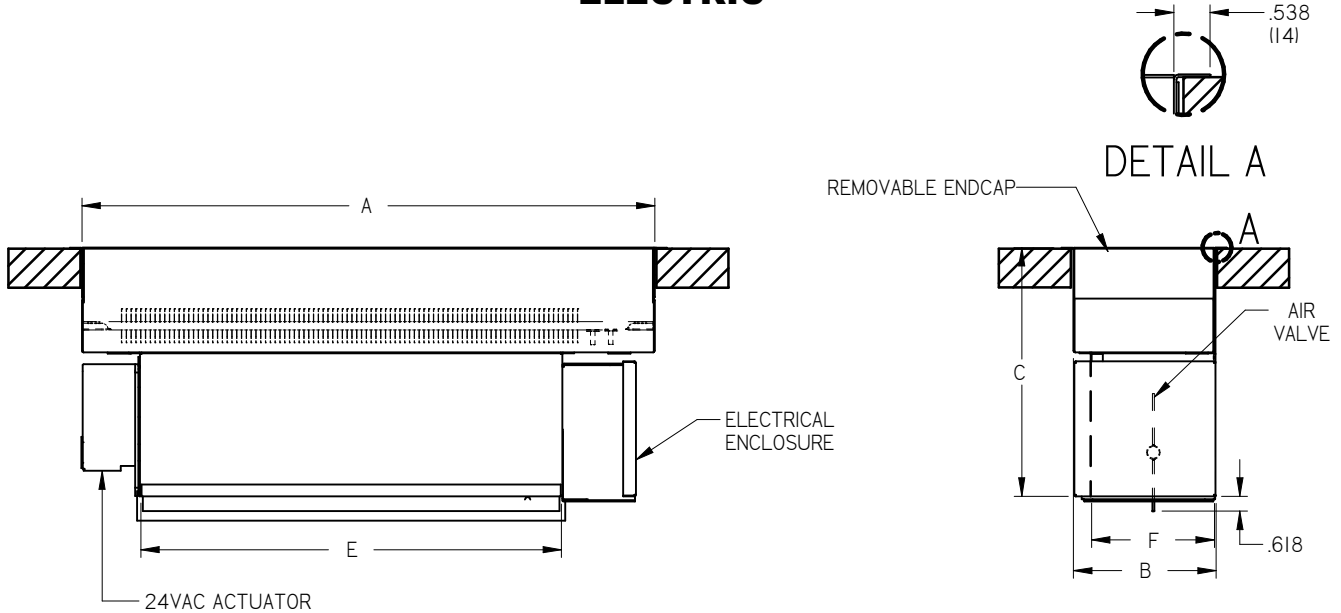
CFLEX CONTROL CABLE (PURPLE):

- 15P - 15 FT. STRANDED
- 25P - 25 FT. STRANDED
- 35P - 35 FT. STRANDED

ALL METRIC DIMENSIONS () ARE SOFT CONVERTED. IMPERIAL DIMENSIONS ARE CONVERTED TO METRIC AND ROUNDED TO THE NEAREST MILLIMETER.

PROJECT:		 LFH LINEAR FLOOR GRILLE HYDRONIC ELEMENT
ENGINEER:		
CUSTOMER:		
SUBMITTAL DATE:	SPEC. SYMBOL:	
		PS 274336 2022/05/12

**LFH
ELECTRIC**



NOM. SIZE	UNIT OVERALL			PLENUM INLET		ROUGH OPENING	EC (W)
	A	B	C	E	F		
<input type="checkbox"/> 24 X 6 (610 X 152)	23 7/8 (606)	5 7/8 (149)	10 3/8 (264)	17 1/2 (445)	5 1/8 (130)	24 X 6 (610 X 152)	1800
<input type="checkbox"/> 48 X 6 (1219 X 152)	47 7/8 (1216)	5 7/8 (149)	10 3/8 (264)	41 1/2 (1054)	5 1/8 (130)	48 X 6 (1219 X 152)	3450

NOTES:

- PLENUM - 20 GA STEEL CONSTRUCTION WITH BLACK FINISH
- DROP-IN INSTALLATION FROM ABOVE FLOOR
- COMES WITH PLENUM RATED CABLE
- LFG 1000 STYLE GRILLE ORDERED SEPARATELY
- AIRFLOW REQUIREMENT IS 70 CFM/KW
- NOMINAL GRILLE SIZE = NOM LENGTH - 0.250 (6) X 5.75 (146)

CFLEX CONTROL CABLE (PURPLE):

- 15P - 15 FT. STRANDED
- 25P - 25 FT. STRANDED
- 35P - 35 FT. STRANDED

HEATER ELEMENT:

- 120/1/60 ELECTRICAL (24" MODEL ONLY)
- 240/1/60 ELECTRICAL (24" OR 48" MODEL)
- 277/1/60 ELECTRICAL (24" OR 48" MODEL)
- FINNED STRIP HEATER; MULTIPLE ELEMENTS MAY BE SUPPLIED ON LONGER UNITS.
- TRANSFORMER INCLUDED

ALL METRIC DIMENSIONS () ARE SOFT CONVERTED. IMPERIAL DIMENSIONS ARE CONVERTED TO METRIC AND ROUNDED TO THE NEAREST MILLIMETER.

PROJECT:		PRICE
ENGINEER: PS		
CUSTOMER:		274337
SUBMITTAL DATE:	SPEC. SYMBOL:	2022/04/22

**LFH
LINEAR FLOOR HEATER
ELECTRIC**